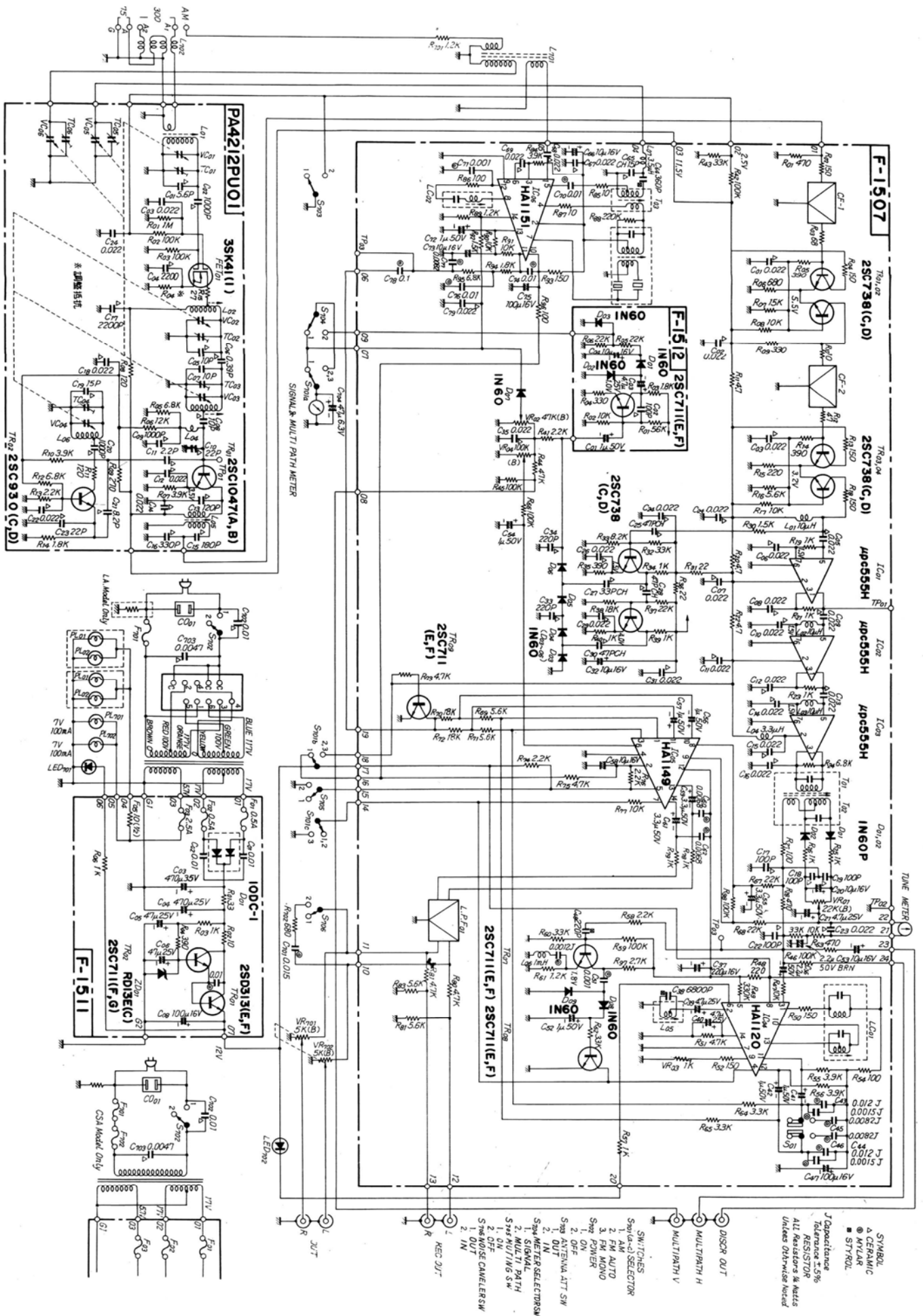


SCHEMATIC DIAGRAM

* Design and specifications subject to change without notice for improvements.



- SYMBOL
- ▲ CERAMIC
- MYLAR
- STYROL
- J Capacitance
- Tolerance ±5%
- RESISTOR
- ALL RESISTORS IN OHMS UNLESS OTHERWISE NOTED

- DISCH OUT
- MULTIPATH H
- MULTIPATH V
- SWITCHES
- Sw(1-2) SELECTOR
- 1. AM AUTO
- 2. FM AUTO
- 3. FM MIND
- Sw(3) POWER
- 2. OFF
- Sw(4) ANTENNA ATT SW
- 1. DUT
- 2. IN
- Sw(5) METER SELECTOR SW
- 1. SIGNAL
- 2. MULTIPATH
- 3. 1/16 SW
- 1. ON
- 2. OFF
- Sw(6) SILENCE CANCELSW
- 1. DUT
- 2. IN